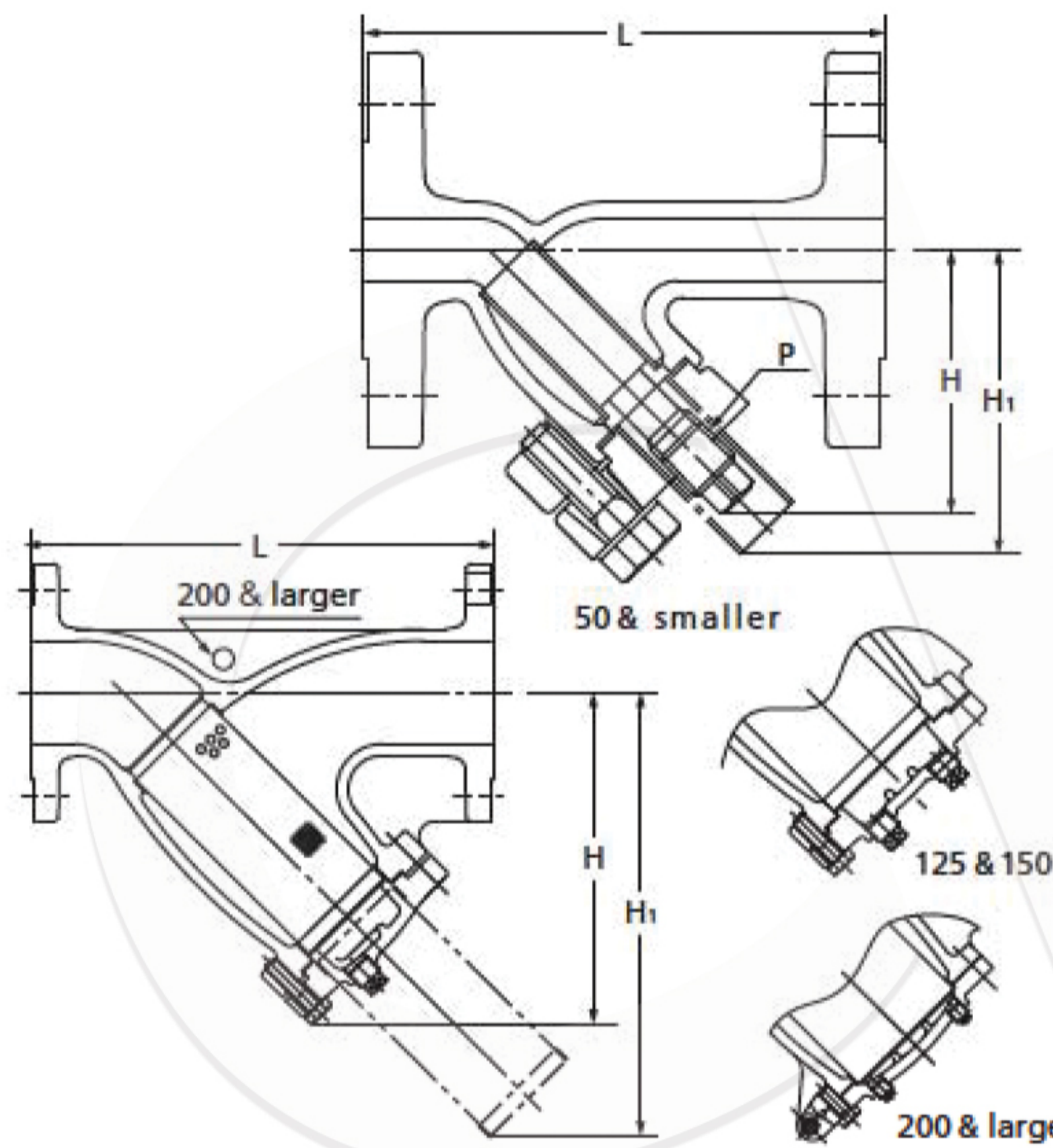


# 20K Strainer for Gas Service

**20FDYB**  
B.C.  
RF-flanged



Face to face : KITZ Std.  
End connection : JIS B 2239 20K

120°C Static water..... 2.8MPa  
220°C Steam, air, gas, oil..... 2.5MPa  
300°C Steam, air, gas, oil..... 2.3MPa  
350°C Steam, air, gas, oil..... 2.0MPa

- Use for lubricating or hydraulic oil is acceptable.
- A gasket will be used for sealing the plug for application to high temperature exceeding 260°C. Specify your service temperature in advance. Ensure replacement of plug gaskets on your valve maintenance.

### Materials

Parts	JIS material
Body	FCD-5
Cover	FCD-5
Gasket	Flexible Graphite
Screen*	SUS304
Plug	SUS304
Cover bolt	Carbon Steel (SS400)

\* 40 mesh wire cloth (reinforced with SUS304 punched plate)

### Dimensions

Size	mm	10	15	20	25	32	40	50	65	80	100	125	150	200	250	300	mm
	inch	<sup>3</sup> / <sub>8</sub>	<sup>1</sup> / <sub>2</sub>	<sup>3</sup> / <sub>4</sub>	1	1 <sup>1</sup> / <sub>4</sub>	1 <sup>1</sup> / <sub>2</sub>	2	2 <sup>1</sup> / <sub>2</sub>	3	4	5	6	8	10	12	
L		120	125	140	160	185	200	250	305	360	415	465	515	620	760	870	
H		65	65	70	85	124	135	163	222	254	294	335	382	442	548	654	
P		Rc <sup>1</sup> / <sub>4</sub>	Rc <sup>1</sup> / <sub>4</sub>	Rc <sup>3</sup> / <sub>8</sub>	Rc <sup>1</sup> / <sub>2</sub>	Rc <sup>3</sup> / <sub>4</sub>	Rc1	Rc1 <sup>1</sup> / <sub>4</sub>	Rc <sup>1</sup> / <sub>2</sub>	Rc <sup>1</sup> / <sub>2</sub>	Rc <sup>3</sup> / <sub>4</sub>	Rc <sup>3</sup> / <sub>4</sub>	Rc <sup>3</sup> / <sub>4</sub>	Rc1	Rc1	Rc1	
H1		74	74	85	105	126	139	172	299	345	398	457	508	570	733	895	

NOTE : For flange dimensions, refer to Page 44.